

# Switches Catalog



**Bergstrom**®



Air Conditioning & Heating  
Replacement Parts



SWITCHES

# Switches

<b>Electrical Switches</b>	<b>3</b>
Air Cylinders	3
Clutch & Micro Switch	3
Electronic Freeze Switches	3
Push Button Switches	3
Rocker Switches	4
Rotary Switches	4
Toggle Switches	5
<b>Pressure Switches</b>	<b>7</b>
Trinary Pressure Switches	7
Binary Pressure Switches	8
High Pressure Switches	9
High Pressure Cutout Switches	11
Low Pressure Switches	11
Low Pressure Cutout Switches	13
Miscellaneous Pressure Switches	14
<b>Thermostatic Switches</b>	<b>14</b>
Cable-Controlled Thermostats	14
Cycling Pressure Switches	14
Preset Thermostats	15
Rotary & Variable Thermostats	16
Electronic Thermostats	16
<b>Miscellaneous Switches</b>	<b>17</b>
Miscellaneous Switches	17
Fan Switches	17
Switch Kits	17
<b>Circuit Breakers</b>	<b>18</b>
<b>Linear Power Modules</b>	<b>18</b>
<b>Relays</b>	<b>19</b>

<b>Resistors</b>	<b>20</b>
<b>Sensors</b>	<b>23</b>

# Electrical Switches

## Air Cylinders

**Part No: 589910**



Motor Length: 5 1/2" (139.7mm)  
 Shaft Diameter: 7/8" (22.35mm)  
 Fitting Type: 3/16" Push-In Nylon Tube  
 General Specifications: Double

**Part No: 591510**



Motor Length: 3 11/16" (93.73mm)  
 Shaft Diameter: 5/8" (15.88mm)  
 Fitting Type: 3/16" Push-In Nylon Tube  
 General Specifications: Dual Shaft

**Part No: 591540**



Motor Length: 4 15/16" (125.22mm)  
 Shaft Diameter: 45/64" (17.78mm)  
 Fitting Type: 3/16" Push-In Nylon Tube

## Clutch & Micro Switch

**Part No: 650471**



Pole/Throw Type: DPDT  
 No./Type of Terminal: 2  
 Function: ON-OFF

**Part No: 652100**



General Specifications: Clutch Switch  
 Pole/Throw Type: SPDT  
 No./Type of Terminal: 3  
 Function: ON-OFF

## Electronic Freeze Switches

**Part No: 1000340317**



General Specifications: Bus Service Part  
 Voltage: 12V  
 Length: 42 11/32" (1075.5mm)  
 Capillary Length: 39 3/8" (1000mm)

## Push Button Switches

**Part No: 591520**



General Specifications: Square Push Button Valve;  
 3-Way, Normally Closed  
 Function: ON-OFF

# Electrical Switches

## Rocker Switches

**Part No: 534100**



General Specifications: Double Rocker Fan Switch  
 Pole/Throw Type: DPDT  
 No./Type of Terminal: 5  
 Function: ON-OFF-ON

**Part No: 570500**



Pole/Throw Type: SPDT  
 No./Type of Terminal: 3  
 Function: ON-OFF-ON

**Part No: 650088**



Voltage: 12V  
 Pole/Throw Type: SPDT  
 No./Type of Terminal: 2  
 Function: ON-OFF

**Part No: 650622**



Pole/Throw Type: SPDT  
 No./Type of Terminal: 5  
 Function: On-Off

**Part No: B220891**



Speed: 2  
 Voltage: 12V  
 Pole/Throw Type: DPDT  
 No./Type of Terminal: 6  
 Function: ON-OFF-ON

## Rotary Switches

**Part No: 650465**



Pole/Throw Type: Rotary  
 No./Type of Terminal: 4

**Part No: 650657**



Speed: 3  
 Voltage: 12V  
 General Specifications: Blower Switch  
 Amps: 20 amp  
 No./Type of Terminal: 5

**Part No: 650882**



Speed: 4  
 General Specifications: Blower Switch  
 Pole/Throw Type: Rotary  
 No./Type of Terminal: 6

# Electrical Switches

## Rotary Switches (cont'd)

**Part No: 890072**



Speed: 3  
Voltage: 12V  
Amps: 25 amp  
No./Type of Terminal: 5

**Part No: B220300**



Speed: 3  
Voltage: 12V  
No./Type of Terminal: 3

**Part No: B220743**



Speed: 3  
Voltage: 12V  
General Specifications: Tandem Blower Switch w/ resistor  
No./Type of Terminal: 6

**Part No: B222975**



Speed: 3  
Voltage: 12V  
Amps: 25 amp  
No./Type of Terminal: 5

## Toggle Switches

**Part No: 650438**



Pole/Throw Type: SPST  
Function: OFF-ON-ON-ON

**Part No: 650644**



Pole/Throw Type: DPDT  
Function: ON-OFF

**Part No: 650645**



Pole/Throw Type: DPDT  
Function: ON-OFF-ON

# Electrical Switches

## Toggle Switches (cont'd)

**Part No: 650607**



Pole/Throw Type: Toggle  
Function: OFF-ON-ON-ON

**Part No: 650606**



Pole/Throw Type: Toggle  
Function: OFF-ON-ON-ON

**Part No: 650871**



Pole/Throw Type: Toggle  
Function: OFF-ON-ON-ON

**Part No: 650954**



Pole/Throw Type: 15/32"-32  
Function: ON-OFF-ON

**Part No: 651154**



General Specifications: Air control switch  
Pole/Throw Type: 1/8" NPT Thread  
Function: ON-OFF

**Part No: 652090**



General Specifications: Blower fan switch  
Pole/Throw Type: SPST  
No./Type of Terminal: 5  
Function: OFF-ON-ON-ON

**Part No: B221005**



General Specifications: Chrome Toggle  
Pole/Throw Type: SPST  
No./Type of Terminal: 2  
Function: ON-OFF

**Part No: B221181**



Voltage: 12V  
General Specifications: Chrome Toggle  
Amps: 25 amp  
Pole/Throw Type: DPST  
No./Type of Terminal: 4  
Function: ON-OFF

**Part No: B221503**



Voltage: 12V / 24V  
General Specifications: Blower fan switch  
Amps: 25 amp / 12.5 amp  
Pole/Throw Type: SPST  
No./Type of Terminal: 5  
Function: OFF-ON-ON-ON

# Pressure Switches

## Trinary Pressure Switches

This switch assembly performs three distinct functions. The first function prevents the compressor from operating if system charge is lost or ambient temperature is too low. The second stops compressor if head pressure increases to unsafe levels. It automatically resets when pressure drops back to normal. The third function is a shutter/fan override switch that keeps head pressure within normal range by opening shutters or operating engine fan to increase air flow across condenser when head pressure rises above set valve.

Install trinary on liquid side of A/C system between condenser and expansion valve, for use with R-12 and R-134a systems.

Trinary Pressure Protection		
<b>Low Pressure</b>	22.5±7.5 Psi (Falling Pressure)	40 Psi (Rising Pressure)
<b>High Pressure</b>	325±25 Psi	230±20 Psi Below (Opening Pressure)
<b>Shutter/Fan Override</b>	35 - 60 Psi Below (Closing Pressure)	200 - 230 Psi (Rising Pressure)

**Part No: 650627**



Position: Normally Closed Shutter Fan Switch  
 Mounting Configuration: 7/16"-20 UNF-2B Female Thread

**Part No: 650633**



Position: Normally Open Shutter Fan Switch  
 Mounting Configuration: 7/16"-20 UNF-2B Female Thread

# Pressure Switches

## Binary Pressure Switches

This switch assembly performs two distinct functions. The first function prevents the compressor from operating if system charge is lost or ambient temperature is too low. The second stops compressor if head pressure increases to unsafe levels. It automatically resets when pressure drops back to normal.

Install binary on liquid side of A/C system between condenser and expansion valve, for use with R-12 and R-134a systems.

Binary Pressure Protection		
<b>Low Pressure</b>	30 - 15 Psi (Falling Pressure)	40 Psi (Rising Pressure)
<b>High Pressure</b>	270 - 330 Psi (Rising Pressure)	80 - 120 Psi Below (Opening Pressure)

**Part No: 650448**



Mounting Configuration: 7/16"-20 UNF-2B Female Thread (Installation on Male Schrader Type Valve)

**Part No: 650869**



Mounting Configuration: 1/4" Female Binary Switch (R-12)

**Part No: 650870**



Mounting Configuration: M10 Female Binary Switch (R-134a)

**Part No: 1000246795**



Fitting Size: M10 x 1.25-6H  
 No./Type of Terminal: Parkard Connectors  
 Function: Normally Open  
 Cut In: 200-300  
 Cut Out: 380-420

**Part No: 1000345640**



Mounting Configuration: M10 Fitting



# Pressure Switches

## High Pressure Switches

**Part No: 650436**



Fitting Size: M10 x 1.25 Female Schrader
No./Type of Terminal: Metripack Connector
Function: Normally Closed
Position: Normally Closed
Actuation: 285 psi
Deactuation: 245 psi
Lead Length: 10", TO END OF CONNECTOR
Cut In: Set: 285
Cut Out: Reset: 245

**Part No: 650712**



Fitting Size: M10 x 1.25 with Schrader Depressed
No./Type of Terminal: Parkard Connectors
Position: Normally Closed
Actuation: 250 psi
Deactuation: 360 psi
Lead Length: 4 13/23"
Cut In: Set: 230
Cut Out: Reset: 360

**Part No: 650594**



Fitting Size: 7/16" -20 Female
Position: Normally Closed
Actuation: 250 psi
Deactuation: 100 psi
Lead Length: 5 1/2"

**Part No: 650944**



Fitting Size: 1/4" Female
Position: Normally Open
Actuation: 300 psi
Deactuation: 210 psi

**Part No: 651323**



Fitting Size: M10 x 1.25-6H
No./Type of Terminal: Parkard Connectors
Function: Normally Closed
Position: Closed
Actuation: 330 psi
Deactuation: 180 psi
Cut In: 180-240
Cut Out: 330-370

**Part No: 1000198469**



Fitting Size: M12 x 1.5-6H
No./Type of Terminal: Packard
Function: Normally Open
Position: Normally Open
Actuation: 30 psi
Deactuation: 10 psi

**Part No: 1000198478**



Fitting Size: M10 x 1.25-6H
No./Type of Terminal: Parkard Connectors
Function: Normally Open
Actuation: 350 psi
Deactuation: 230 psi
Cut In: 230
Cut Out: 350

**Part No: 1000250288**



Fitting Size: M10 x 1.25-6H
No./Type of Terminal: Parkard Connectors
Function: Normally Open
Position: Normally Open
Actuation: 250 psi
Deactuation: 375 psi
Cut In: 355-395
Cut Out: 200-300

**Part No: 1000948098**



Fitting Size: 1/4" Female Flare
No./Type of Terminal: 1-way Male & Female Parkard Connectors
Function: Normally Closed
Position: Normally Closed
Actuation: 250 psi
Deactuation: 350 psi
Lead Length: 2"
Cut In: 250
Cut Out: 350

# Pressure Switches

**Part No: 1000948101**



No./Type of Terminal: 1/4" Female Flare
Function: Normally Open
Lead Length: 3"
Cut In: 42
Cut Out: 10

**Part No: 1000948102**



Fitting Size: M10 x 1.25-6H
No./Type of Terminal: 1-way Male & Female Parkard Connectors
Function: Normally Closed
Lead Length: 3"
Cut In: 250
Cut Out: 350

**Part No: B404121**



Fitting Size: 1/4" Female Flare
No./Type of Terminal: Parkard, Female Spade
Function: Normally Open
Position: Normally Open
Actuation: 375 psi
Deactuation: 250 psi
Lead Length: 5 1/2"
Cut In: 375
Cut Out: 250

**Part No: B404276**



Fitting Size: M10 x 1.25-6H
Function: Normally Open
Position: Open
Actuation: 260 psi
Deactuation: 180 psi
Lead Length: 6"
Cut In: 260
Cut Out: 180

**Part No: B404277**



Fitting Size: M10 x 1.25-6H
No./Type of Terminal: 1-way Male & Female Parkard Connectors
Function: Normally Closed
Position: Closed
Actuation: 200 psi
Deactuation: 300 psi
Lead Length: 2"
Cut In: 200
Cut Out: 300

**Part No: B404278**



Fitting Size: M10 x 1.25-6H
No./Type of Terminal: Bare Leads
Function: Normally Closed
Position: Closed
Actuation: 300 psi
Deactuation: 200 psi
Lead Length: 3"
Cut In: 200
Cut Out: 300

**Part No: B404284**



Fitting Size: M10 x 1.25-6H
No./Type of Terminal: Bare Leads
Function: Normally Closed
Position: Closed
Actuation: 210 psi
Deactuation: 260 psi
Lead Length: 6"
Cut In: 210
Cut Out: 260

**Part No: B404319**



Fitting Size: M10 x 1.25-6H
No./Type of Terminal: Parkard Electric Metri-Pack Connector
Actuation: 400 psi
Deactuation: 250 psi
Temperature Range: 32F to 194F (0C to 90C)

# Pressure Switches

## High Pressure Cutout Switches

**Part No: 650419**



Fitting Size: M10 x 1.25 Female Schrader
No./Type of Terminal: Metripack Connector
Function: Normally Closed
Position: Closed
Actuation: 300 psi
Deactuation: 260 psi
Lead Length: 10", TO END OF CONNECTOR
Cut In: Set: 300
Cut Out: Reset: 260

## Low Pressure Switches

**Part No: 650593**



Fitting Size: 1/4" Female Flare
No./Type of Terminal: Parkard Connectors
Function: Normally Closed
Position: Normally Closed
Actuation: 300 psi
Deactuation: 210 psi
Lead Length: 6"
Cut In: 300
Cut Out: 210

**Part No: 650713**



Fitting Size: M12 x 1.5 w/ Schrader Depressed
No./Type of Terminal: Parkard Connectors
Function: Normally Open
Actuation: 30 psi
Deactuation: 10 psi
Lead Length: 1 7/8"
Cut In: 30
Cut Out: 10

**Part No: 651324**



Fitting Size: M12 x 1.5-6H
No./Type of Terminal: Parkard Connectors
Function: Normally Open
Actuation: 23 psi
Deactuation: 47 psi
Cut In: 47
Cut Out: 19.5-22.5

# Pressure Switches

**Part No: 1000246481**



Fitting Size: M10 x 1.25
No./Type of Terminal: Parkard Connectors
Function: Normally Open
Actuation: 23 psi
Deactuation: 6 psi
Lead Length: 1 9/16"
Temperature Range: -40°F - 257°F (-40°C -125°C)

**Part No: 1000250287**



Fitting Size: M12 x 1.5-6H
No./Type of Terminal: Parkard Connectors
Function: Normally Open
Actuation: 32 psi
Deactuation: 3 psi
Cut In: 22-32
Cut Out: 42438

**Part No: 1000250290**



Fitting Size: M12 x 1.5-6H
No./Type of Terminal: Parkard Connectors
Function: Normally Open
Actuation: 34 psi
Deactuation: 18 psi
Cut In: 26-34
Cut Out: 10-18

**Part No: 1000335581**



Fitting Size: M10 x 1.25-6H
No./Type of Terminal: Parkard Connectors
Function: Normally Closed
Actuation: 320 psi
Deactuation: 250 psi
Cut In: 250-210
Cut Out: 320-280

**Part No: 1001513275**



Length: 2 3/64" (52mm)
Fitting Size: M12 x 1.5
Function: Normally Open
Position: Open
Actuation: 44 psi
Deactuation: 21psi

**Part No: 1002044722**



Fitting Size: M12 x 1.5 Female O-Ring Fitting
Function: Normally Closed
Lead Length: 4 23/64"
Cut In: Actuation: 30
Cut Out: Release: 5

**Part No: B404093**



Fitting Size: 1/4" (7/16"-20) Female SAE Flare
No./Type of Terminal: 1/4" Male & Female Blades
Position: Open
Actuation: 34 psi
Deactuation: 25 psi
Lead Length: 3"

**Part No: B404097**



Fitting Size: 3/8"-24 UNF. 2A Thread
No./Type of Terminal: Male 1/4" Spade
Function: Normally Open
Position: Normally Open
Deactuation: 27 psi (R-134a)
Cut In: 3
Cut Out: 28.6

**Part No: B404123**



Fitting Size: 1/4" Female Flare
No./Type of Terminal: Packard Connectors
Position: Normally Closed
Actuation: 30 psi
Deactuation: 7 psi max.
Lead Length: 5 1/2"

# Pressure Switches

**Part No: B404144**



Fitting Size: 1/4" Female Flare
No./Type of Terminal: Bare Leads
Function: Normally Open
Position: Normally Open
Actuation: 34 psi
Deactuation: On Pressure Drop 10 psi
Lead Length: 3"
Cut In: 34
Cut Out: 6

**Part No: B404220**



Fitting Size: 1/4" Female Flare
No./Type of Terminal: #8-32 UNF-2B Screw
Function: Normally Open
Position: Open
Actuation: 34 psi
Deactuation: 6 psi
Cut In: 34
Cut Out: 6

**Part No: B404279**



Fitting Size: M10 x 1.25-6H
No./Type of Terminal: 1-way Male & Female Parkard Connectors
Function: Normally Open
Position: Open
Actuation: 34 psi
Deactuation: 6 psi
Lead Length: 2"
Cut In: 34
Cut Out: 6

# Low Pressure Cutout Switches

**Part No: 650418**



Fitting Size: M12 x 1.25 Female Shrader
No./Type of Terminal: Metripack Connector
Function: Normally Closed
Position: Normally Closed
Lead Length: 10", TO END OF CONNECTOR
Cut In: Set: 34
Cut Out: Reset: 10

**Part No: 650479**



Fitting Size: M12 x 1.5 Female Shrader
No./Type of Terminal: Metripack Connector
Function: Normally Closed
Position: Closed
Actuation: 34 psi
Deactuation: 10 psi
Lead Length: 10", TO END OF CONNECTOR
Cut In: Set: 34
Cut Out: Reset: 10

# Thermostatic Switches

## Miscellaneous Pressure Switches


**Part No: 651021**



Function: Normally Open
Position: Normally Open
Actuation: 65 psi
Deactuation: 75 psi
Cut In: 65
Cut Out: 75

## Cycling Pressure Switches


**Part No: 651332**



Fitting Size: M10 x 1.25-6H
No./Type of Terminal: Parkard Connectors
Function: Normally Closed
Position: Closed
Actuation: 300 psi
Deactuation: 250 psi
Lead Length: 5"
Cut In: 300
Cut Out: 250

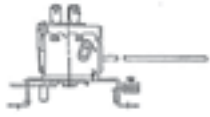
## Cable-Controlled Thermostats

**Part No: 650149**



Capillary Length: 42"
Switch Type: Variable
Temperature Range: 30°F - 40°F (-1°C - 4°C)
Clutch Cycle Range: 10°F (-12°C)

**Part No: B404019**



Capillary Length: 18"
Switch Type: Variable
Temperature Range: 28°F - 40°F (-2°C - 4°C)
Clutch Cycle Range: 5°F (-15°C)

# Thermostatic Switches

## Preset Thermostats

**Part No: 525335**



Capillary Length: 31 31/64"

Switch Type: Fixed

Temperature Range: 31°F - 39.5°F (-1°C - 4°C)

Clutch Cycle Range: 8.5°F (-13°C)

**Part No: 589490**



Capillary Length: 21"

Switch Type: Fixed

Temperature Range: 31°F - 39.5°F (-1°C - 4°C)

Clutch Cycle Range: 8.5°F (-13°C)

**Part No: 650163**



Capillary Length: 12 1/2"

Switch Type: Fixed

Temperature Range: 31.1°F - 39.6°F (-1°C - 4°C)

Clutch Cycle Range: 8°F (-13°C)

**Part No: 650195**



Capillary Length: 24"

Switch Type: Fixed

Temperature Range: 34°F - 44°F (1°C - 7°C)

Clutch Cycle Range: 10°F (-12°C)

**Part No: 650476**



Capillary Length: 24 1/2"

Switch Type: Fixed

Temperature Range: 31°F - 39°F (-1°C - 4°C)

Clutch Cycle Range: 8°F (-13°C)

**Part No: 650511**



Capillary Length: 16 1/2"

Switch Type: Fixed

Temperature Range: 28°F - 35°F (-2°C - 2°C)

Clutch Cycle Range: 7°F (-14°C)

**Part No: 650649**



Capillary Length: 48"

Switch Type: Variable

Temperature Range: 34°F - 52°F (1°C - 11°C)

Clutch Cycle Range: 5°F (-15°C)

**Part No: 650878**



Capillary Length: 24"

Switch Type: Fixed

Temperature Range: 31°F - 39°F (-1°C - 4°C)

Clutch Cycle Range: 8°F (-13°C)

**Part No: 651264**



Capillary Length: 12 1/2"

Temperature Range: 31.1°F - 39.6°F (-1°C - 4°C)

Clutch Cycle Range: 8.5°F (-13°C)

# Thermostatic Switches

**Part No: 100021516**



Capillary Length: 24"  
 Switch Type: Fixed  
 Temperature Range: 30°F - 36°F (-1°C - 2°C)  
 Clutch Cycle Range: 6°F (-14°C)

**Part No: 1001884257**



Capillary Length: 15"  
 Switch Type: Fixed  
 Temperature Range: 31°F - 39.5°F (-1°C - 4°C)  
 Clutch Cycle Range: 8.5°F (-13°C)

**Part No: B404145**



Capillary Length: 15"  
 Switch Type: Fixed  
 Temperature Range: 31°F - 39.5°F (-1°C - 4°C)  
 Clutch Cycle Range: 8.5°F (-13°C)

# Rotary & Variable Thermostats

**Part No: B404028**



Capillary Length: 36"  
 Switch Type: Variable  
 Temperature Range: 33°F - 45°F (1°C - 7°C)  
 Clutch Cycle Range: 12°F (-11°C)

**Part No: B404075**



Capillary Length: 18"  
 Switch Type: Variable  
 Temperature Range: 28°F - 40°F (-2°C - 4°C)  
 Clutch Cycle Range: 12°F (-11°C)

**Part No: B404089**



Capillary Length: 48"  
 Switch Type: Variable  
 Temperature Range: 30°F - 36°F (-1°C - 2°C)  
 Clutch Cycle Range: 6°F (-14°C)

# Electronic Thermostats

**Part No: 1000541645**



General Specifications: Electronic Thermostat Assembly



# Miscellaneous Switches

## Miscellaneous Switches

**Part No: 651184**



**Part No: 651187**



**Part No: 1000014287**



Fitting Size: M10 x 1.25-6H Female

General Specifications: Output Load: 56k OHM Pull Down and Power Supply: 4.5/5.5 VDC

Temperature Range: 32°F - 275°F (0°C - 135°C)

Additional Specification: Evaporator Sensor, Low Temperature

**Part No: 1000247779**



Additional Specification: NITE Phoenix Prefix SRT, BWF, BYC, CAI, CCA, CDJ, CIA, CNA

**Part No: 1000309203**



Additional Specification: NITE Phoenix Prefix SRT, BWF, BYC, CAI, CCA, CDJ, CIA, CNA

**Part No: B222987**



General Specifications: Mode Switch Assembly  
Temperature Range: 29°F - 149°F (-2°C - 65°C)

Additional Specification: NITE Day Cab Prefix BRG, BRH

## Fan Switches

**Part No: 1001269123**



Pole/Throw Type: SPTT

Function: Low-Med-High

## Switch Kits

**Part No: B417167**



General Specifications: 12 volt installation wire kit

# Linear Power Modules

## Circuit Breakers

**Part No: 1001287300**



Amps: 40 amp

**Part No: B222647**



Amps: 20 amp

## Linear Power Modules

**Part No: 1000235954**



Additional Specification: NITE Phoenix Prefix SRT, BWF, BYC, CAI, CCA, CDJ, CIA, CNA

**Part No: 1000555432**



Voltage: 12V

**Part No: 1001401792**



Voltage: 12V  
Connector: 4-Pin Wire Harness, 2-Pin Motor  
Amps: 35 amps  
Temperature Range: -40°F - 185°F (-40°C - 85°C)

**Part No: 1001551461**



Connector: Yazaki

# Relays

## Relays

**Part No: 650731**



Voltage: 12V

General Specifications: No Bracket

Amps: 40 amp

Pole/Throw Type: SPDT

No./Type of Terminal: 5

**Part No: 651011**



Voltage: 12V

Amps: 30 amp

Pole/Throw Type: SPDT

No./Type of Terminal: 5

**Part No: 651069**



Voltage: 12V

General Specifications: No Bracket

Amps: 30 amp / 40 amp

Pole/Throw Type: SPDT

No./Type of Terminal: 5

**Part No: 651459**



Voltage: 12V

General Specifications: No Bracket

Amps: 30 amp / 40 amp

Pole/Throw Type: SPDT

No./Type of Terminal: 5

**Part No: 651150**



Voltage: 12V

General Specifications: Bracket/Dual Contacts & Diode

Amps: 30 amp

Pole/Throw Type: SPST

NO/NC: NO

No./Type of Terminal: 5

**Part No: 652420**



Voltage: 12V

General Specifications: Bracket

Amps: 30 amp NO / 20 amp NC

Pole/Throw Type: SPDT

No./Type of Terminal: 5

**Part No: 652541**



Voltage: 12V

General Specifications: Micro

Pole/Throw Type: SPDT

No./Type of Terminal: 5

Amp Draw: 35 amp NO / 20 amp NC

**Part No: 1000611575**



Voltage: 12V

General Specifications: Relay with Resistor

No./Type of Terminal: 4

Amp Draw: 100 amp

**Part No: 1000925735**



Voltage: 12V

Amps: 10 amp / 20 amp

Pole/Throw Type: SPDT

NO/NC: 35A NO / 20A NC

No./Type of Terminal: 5

# Resistors

**Part No: 1001287118**



Voltage: 12V

General Specifications: Bracket

Amps: 40 amp

Pole/Throw Type: SPDT

No./Type of Terminal: 5

**Part No: 1002282874**



Voltage: 12V

General Specifications: Resistor

**Part No: B222166**



Voltage: 24V

General Specifications: Bracket/Resistor

Amps: 10 amp / 20 amp

Pole/Throw Type: SPDT

No./Type of Terminal: 5

**Part No: B222973**



Voltage: 12V

General Specifications: Bracket/Resistor

Amps: 70 amp

Pole/Throw Type: SPST

NO/NC: NO

No./Type of Terminal: 4

# Resistors

**Part No: 650153**



Speed: 3

Voltage: 24V

No./Type of Terminal: 3

**Part No: 650177**



Speed: 4

Voltage: 12V

No./Type of Terminal: 4

**Part No: 650179**



Speed: 3

Voltage: 12V

No./Type of Terminal: 3

# Resistors

**Part No: 650441**



Speed: 3  
Voltage: 12V  
No./Type of Terminal: 3

**Part No: 650475**



Speed: 4  
Voltage: 12V  
No./Type of Terminal: 5

**Part No: 650477**



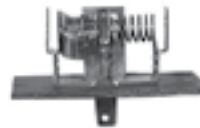
Speed: 3  
Voltage: 12V  
No./Type of Terminal: 3

**Part No: 650668**



Voltage: 12V  
No./Type of Terminal: 4

**Part No: 650790**



Speed: 3  
Voltage: 12V  
No./Type of Terminal: 3

**Part No: 650823**



Speed: 4  
Voltage: 12V  
No./Type of Terminal: 4

**Part No: 651013**



Speed: 3

**Part No: 100067312**



Additional Specification: Used on the Kelvin and Pascal

**Part No: 1000206429**



Voltage: 12V  
No./Type of Terminal: 4

**Part No: 1000264808**



Voltage: 12V  
No./Type of Terminal: 3

**Part No: 1000283836**



Voltage: 12V  
No./Type of Terminal: 4

**Part No: 1000283926**



Speed: 3  
Voltage: 12V  
No./Type of Terminal: 3

# Resistors

**Part No: 1000303265**



Speed: 3

Voltage: 12V

No./Type of Terminal: 3

**Part No: 1000303268**



Speed: 3

Voltage: 12V

No./Type of Terminal: 3

**Part No: 1000303297**



Speed: 3

Voltage: 24V

No./Type of Terminal: 3

**Part No: 1001272236**



**Part No: 1001520651**



Voltage: 12V

No./Type of Terminal: 4

**Part No: 1002505417**



Speed: 4

No./Type of Terminal: 5

**Part No: B220990**



Speed: 3

Voltage: 12V

No./Type of Terminal: 3

**Part No: B221670**



Speed: 3

Voltage: 24V

No./Type of Terminal: 3

**Part No: B223084**



Speed: 3

Voltage: 12V

No./Type of Terminal: 3

# Sensors

## Sensors

**Part No: 1000039701**



Voltage: 12V

General Specifications: Temp Probe Switch, Freightliner OEM BOA91619

No./Type of Terminal: 2

**Part No: 1000039702**



Voltage: 12V

General Specifications: Evap Temp Probe, Freightliner OEM VCCT83000036

No./Type of Terminal: 2 Pin

**Part No: 1000134018**



General Specifications: Temperature Sensor

**Part No: 1000234569**



Additional Specification: NITE Phoenix Prefix SRT, BWF, BYC, CAI, CCA, CDJ, CIA, CNA

**Part No: 1000477653**



General Specifications: Temperature Sensor

**Part No: 1003037140**



General Specifications: Evaporator Temperature Sensor