

# Components Catalog



**Bergstrom**®



*Air Conditioning & Heating  
Replacement Parts*

# Components



COMPONENTS

<b>Retrofit Kit &amp; Adapters</b>	<b>3</b>	<b>Control Knobs</b>	<b>17</b>
Retrofit Adapters	3	<b>Control Cables &amp; Assemblies</b>	<b>19</b>
<b>Tools &amp; Accessories</b>	<b>4</b>	<b>Control Assemblies &amp; Panels</b>	<b>20</b>
Accessories	4	<b>Control Kits &amp; Modules</b>	<b>20</b>
Bolts, Nuts, Washers & Screws	5		
Foam & Gaskets	5		
Sensors	5		
Grommets	6		
Terminals	6		
Valve Cores & Installation Tools	7		
Wire & Wire Harnesses	8		
<b>Rectangle Louvers</b>	<b>10</b>		
<b>Round Louvers</b>	<b>12</b>		
<b>Chemical &amp; Lubricant Specifications</b>	<b>14</b>		
Chemicals	14		
Lubricants	14		
<b>Chemicals</b>	<b>14</b>		
AC Flush	14		
Leak Stop	15		
Vacuum Pump Oil	15		
Retro AC - Polyalkylene Glycol	15		
Oil Charge	15		
<b>Lubricants</b>	<b>15</b>		
Refrigerant Oils	15		
Retro AC - Polyalkylene Glycol with Leak Dye	16		
Polyol Ester Oil	16		

# Retrofit Kit & Adapters

## Retrofit Adapters

**Part No: 550386**



90 Degree Steel Adaptor (must order in increments of 5)

Fitting Size: 16mm

Fitting Thread Size: 3/16" (3/8"-24)

General Specifications: 90° 16mm Adapter Fitting R-134a. Includes Valve Core, Neoprene O-ring and Threadlock.

Additional Specification: NOTE: The price is per piece (not per pack quantity). The total price will be reflected during the checkout process.

**Part No: 550388**



90 Degree Steel Adaptor (must order in increments of 5)

Fitting Size: 13mm

Fitting Thread Size: 7/16" x 20 (1/4")

General Specifications: 90° 13mm Adapter Fitting R-134a

Additional Specification: NOTE: The price is per piece (not per pack quantity). The total price will be reflected during the checkout process.

**Part No: 550394**



16mm Adaptor, .4370-20 .25 (must order in increments of 5)

Fitting Size: 16mm

Fitting Thread Size: 1/4" (7/16"-20)

General Specifications: Straight 16mm Adapter Fitting R-134a. Includes Valve Core, Neoprene O-ring and Threadlock.

Additional Specification: NOTE: The price is per piece (not per pack quantity). The total price will be reflected during the checkout process.

**Part No: 580552**



Retro Fit Adaptor

Fitting Size: 13mm port

Fitting Thread Size: Female thread, 10mm-1.25

General Specifications: Chrysler, Ford, Mercedes 13mm Primary Seal Port with green HNBR o-ring (aluminum)

## Accessories

**Part No: 570140**



Insulation Tape, 264328R1/5P4610 (must order in 30-foot increments)

**Part No: 600157**



Tinnerman S-Clip (must order in increments of 10)

**Part No: 1000417503**



C-Plate Seal, 1/2 (must order in increments of 10)  
General Specifications: 1/2 C-plate seal

**Part No: 1000417507**



C-Plate Seal, 3/4 (must order in increments of 10)  
General Specifications: 3/4 C-plate seal

**Part No: 1000241452**



Water Valve Clip (must order in increments of 10)  
General Specifications: Water valve clip

**Part No: 1002206590**



Black Sealing Tape for Solar Panel Modules  
Length: 36" (914.4mm)  
Width: 2" (50.8mm)  
Thickness: 1/32" (1mm)

# Tools & Accessories

## Bolts, Nuts, Washers & Screws

**Part No: 600121**



**Bolts used for bracket #0134B**

**Part No: 600283**



**Self Drill Screw (must order in increments of 25)**

**Part No: 1000694101**



**M8 x 1.25 Serrated Hex Nut (must order in increments of 10)**

**Part No: B202303**



**Flat SAE Standard Steel Washer, 5/16 (must order in increments of 25)**

## Foam & Gaskets

**Part No: 580099**



**Charging Hose Gasket, .25 (must order in increments of 5)**

**General Specifications: Charging Hose Gasket - 1/4"**

## Sensors

**Part No: 650263**



**Evaporator Sensor**

## Grommets

**Part No: 520513**



Freeze Switch Grommet

General Specifications: NITE Phoenix Prefix SRT, BWF, BYC, CAI, CCA, CDJ, CIA, CNA

**Part No: B300222**



Grommet-Rubber,.62 Id (must order in increments of 10)

## Terminals

**Part No: 670137**



Terminal Ring 3/8 4 Ga

**Part No: 670136**



Terminal Ring 5/16 4 Ga

**Part No: 1000247777**



Terminal, 3/8" Ring 14-16 Guage Sealed

**Part No: 1000247778**



Terminal, 3/8" Ring 18-22 Guage Sealed

**Part No: 1000309205**



Lug Terminal, 4Awg 90-Deg

# Tools & Accessories

## Valve Cores & Installation Tools

**Part No: 550385**



Valve Core Tool

General Specifications: Heavy duty core removal tool standard size and Eaton SSV E-Z clip size

**Part No: 550397**



Valve Core (must order in increments of 5)

General Specifications: M8 Eaton 13mm SSV - High flow low side service port - OAL 7/8" top to bottom - 10 per box

**Part No: 550398**



Valve Core (must order in increments of 5)

General Specifications: M10 Eaton 16mm SSV - High flow high side service port - OAL 7/8" top to bottom - 10 per box

**Part No: 550402**



Valve Core Tool

General Specifications: Schrader Core Remover

**Part No: 550403**



Valve Core (must order in increments of 5)

General Specifications: Valve core R12/R134a service port - OAL 3/4" top to bottom - 10 per box

**Part No: 550508**



Valve Core (must order in increments of 10)

General Specifications: 1/4" - GM High Flow Large Bore Valve Core - Service port, OAL 3/4" top to bottom - 10 per box

**Part No: 551354**



Valve Core (must order in increments of 10)

General Specifications: High Flow Valve Core w/ HNBR Seal - 10 per box

## Wire & Wire Harnesses

**Part No: 660320**



Harness

**Part No: 660762**



Wire Harness

General Specifications: Wire Harness

**Part No: 660706**



Battery Cable Wire Assembly, 5300mm black

General Specifications: Black battery cable wire, 5300mm

**Part No: 660707**



Battery Cable Wire Assembly, 5000mm red

General Specifications: Red battery cable wire, 5000mm

**Part No: 660757**



Wire Harness

**Part No: 1000229979**



Wire Harness

Connectors: Packard #12052623 and Packard #2977045

**Part No: 1000230502**



Phoenix Control Wire Harness

General Specifications: Phoenix Control Wire Harness

**Part No: 1000230729**



Phoenix Control Xtn Wire Harness

General Specifications: Phoenix Control XTN Wire Harness

**Part No: 1000295771**



NITE Phoenix BMS Wire Harness

General Specifications: NITE Phoenix BMS Wire Harness

**Part No: 1000338843**



Control Phase Cluster Block Harness

**Part No: 1000426134**



Wire Harness

General Specifications: Wire Harness

**Part No: 1000493450**



Phoenix Can Bus Wire Harness

General Specifications: Phoenix Can Bus Wire Harness



# Tools & Accessories

**Part No: 1000761785**



Wire Harness

General Specifications: Wire Harness

**Part No: 1000927678**



Wire Harness

General Specifications: Wire Harness used with four prong standard spade connector relay

**Part No: 1001752828**



Wire Harness, Kenworth Cab

**Part No: 1002192042**



Wire Harness Jumper, Double Fan Heater

General Specifications: Harness to adapt 1001841874 to 100061801

**Part No: B416912**



Spike Protection Kit

General Specifications: Spike Protection Kit

# Rectangle Louvers

**Part No: 500088**



Length: 5 55/64" (148.8mm)  
 Height: 3 13/16" (96.8mm)  
 Mounting Length: 5 5/16" (134.62mm)  
 Mounting Height: 2 29/32" (73.66mm)

**Part No: 500091**



Length: 3 31/64" (88.4mm)  
 Height: 2 21/32" (67.2mm)

**Part No: 500105**




Length: 7 7/8" (200mm)  
 Height: 3 13/16" (97mm)  
 Mounting Length: 7 11/32" (186.4mm)  
 Mounting Height: 2 55/64" (72.4mm)

**Part No: 550404**




Length: 3 1/2" (88.9mm)  
 Mounting Diameter: 3" x 1 3/4"

**Part No: 585520**



Length: 7 11/16" (195.33mm)  
 Height: 3 1/4" (82.55mm)  
 Mounting Length: 7 13/32" (188.1124mm)  
 Mounting Height: 2 25/32" (70.6374mm)

**Part No: 588060**



Length: 5 7/16" (138.18mm)  
 Height: 2 5/32" (54.864mm)  
 Mounting Length: 5 3/16" (131.572mm)  
 Mounting Height: 1 21/64" (33.02mm)

**Part No: 748040**




Length: 5 49/64" (146.3mm)  
 Height: 2 1/16" (52.2mm)  
 Mounting Length: 5 5/8" (142.75mm)  
 Mounting Height: 1 31/32" (49.9mm)

**Part No: 869048**



Length: 7 17/64" (184.6mm)  
 Height: 3 5/64" (78mm)  
 Mounting Length: 6 25/32" (172.2mm)  
 Mounting Height: 3 1/32" (77mm)

**Part No: 1000370193**




Length: 6 59/64" (175.82mm)  
 Mounting Length: 5 11/32" (135.73mm)

**Part No: 1002598077**




Length: 7 3/4" (196.6mm)  
 Height: 3 5/8" (92.5mm)  
 Mounting Length: 7 3/16" (182.6mm)  
 Mounting Height: 3 1/8" (79.3mm)

**Part No: B360289**



Length: 9 59/64" (251.97mm)  
 Height: 3 15/16" (100.08mm)  
 Mounting Length: 9" (228.35mm)  
 Mounting Height: 2 31/32" (75.18mm)

**Part No: B360348**



Length: 7 45/64" (195.58mm)  
 Height: 3 1/4" (82.55mm)  
 Mounting Length: 7 7/64" (180.59mm)  
 Mounting Height: 2" (50.8mm)

# Rectangle Louvers

**Part No: B360400**



Length: 3 29/32" (99.06mm)  
 Height: 1 39/64" (40.64mm)  
 Mounting Length: 3 23/64" (85.32876mm)  
 Mounting Height: 1 3/4" (44.45mm)

**Part No: B360561**



Length: 5 3/8" (136.525mm)  
 Height: 2 5/32" (54.77002mm)  
 Mounting Length: 4 3/4" (120.65mm)  
 Mounting Height: 2" (50.8mm)

**Part No: B360754**



Length: 5 7/16" (138.11mm)  
 Height: 2 3/16" (55.5625mm)  
 Mounting Length: 5" (127mm)  
 Mounting Height: 1 3/4" (44.45mm)

**Part No: B360761**



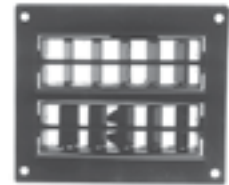
Length: 5 3/8" (136.65mm)  
 Height: 2 5/32" (54.864mm)  
 Mounting Length: 4 25/32" (4.78mm)  
 Mounting Height: 1 15/16" (1.94mm)

**Part No: B360769**



Length: 5 3/8" (136.53mm)  
 Height: 2 3/8" (60.325mm)  
 Mounting Length: 5 1/8" (130.175mm)  
 Mounting Height: 1 7/8" (47.625mm)

**Part No: B360850**



Length: 7 3/4" (196.6mm)  
 Height: 6 9/16" (166.37mm)  
 Mounting Length: 7" (178.1mm)  
 Mounting Height: 5 11/16" (144mm)

**Part No: B360924**



Length: 5 5/8" (142.9mm)  
 Height: 2 7/16" (62.2mm)  
 Mounting Length: 5 3/16" (131.8mm)  
 Mounting Height: 1 3/16" (31.1mm)

# Round Louvers

**Part No: 530006**



Diameter: 3 15/16" (100mm)  
Mounting Diameter: 3" (76.2mm)

**Part No: 530747**



Diameter: 4 19/32" (116.67mm)  
Mounting Diameter: 3 21/64" (84.58mm)

**Part No: 586970**



Diameter: 2 21/32" (67.6mm)  
Mounting Diameter: 2" (50.8mm)

**Part No: 808810**



Diameter: 3 3/4" (95.25mm)  
Mounting Diameter: 3 3/8" (85.55mm)

**Part No: 1000724685**



Diameter: 2 11/16" (68.3mm)

**Part No: B170145**



Diameter: 3 5/8" (92.075mm)  
Mounting Diameter: 3 5/16" (84.582mm)

**Part No: B360104**



Diameter: 3 41/64" (3.64mm)  
Mounting Diameter: 3 19/64" (83.82mm)

**Part No: B360151**



Diameter: 2 1/4" (57.15mm)  
Mounting Diameter: 2" (50.8mm)

**Part No: B360157**



Diameter: 4 25/32" (121.41mm)  
Mounting Diameter: 4 19/32" (116.59mm)

**Part No: B360224**



Diameter: 2 3/4" (69.9mm)  
Mounting Diameter: 2 1/2" (63.5mm)

**Part No: B360448**



Diameter: 2 3/4" (69.9mm)  
Mounting Diameter: 2 1/2" (63.5mm)

**Part No: B360478**



Diameter: 2 3/4" (69.9mm)  
Mounting Diameter: 2 1/2" (63.5mm)

# Round Louvers

**Part No: B360584**



Diameter: 3 1/4" (82.55mm)  
Mounting Diameter: 2 1/2" (63.5mm)

**Part No: B360585**



Diameter: 4 27/64" (112.27mm)  
Mounting Diameter: 3 11/32" (84.84mm)

**Part No: B360593**



Diameter: 3 1/4" (82.55mm)  
Mounting Diameter: 3" (76.2mm)

**Part No: B360649**



Diameter: 2 45/64" (68.58mm)  
Mounting Diameter: 2 1/2" (63.5mm)

**Part No: B360783**



Diameter: 2 3/4" (2.75mm)  
Mounting Diameter: 2 1/2" (63.5mm)

**Part No: B360715**



Diameter: 3 15/16" (3.93mm)  
Mounting Diameter: 2 45/64" (68.58mm)

**Part No: B360833**



Diameter: 2 7/64" (53.6mm)  
Mounting Diameter: 1 7/8" (47.5mm)

**Part No: B360880**



Diameter: 3 15/16" (3.93mm)  
Mounting Diameter: 2 15/16" (74.676mm)

**Part No: E525076**



Diameter: 3 13/32" (86.5mm)  
Mounting Diameter: 3 17/64" (83mm)

## Chemical & Lubricant Specifications

Description	Package Size	Part No
<b>Chemicals</b>		
2 oz. R-134a/2 oz. Castrol Retro A/C, Ideal for top off of R-134a systems, Quick, Easy, and Economical	12 x 4 oz.	<b>1000530630</b>
A mid viscosity PAG oil mixed with R-134a for easy charging into an R-134a system	12 x 4 oz.	<b>1000530645</b>
Leak Stop - Helps to seal and detect most common AC leaks in R-134a systems	12 x 4 oz.	<b>1000530647</b>
AC Flush - Solvent based. Effective flushing agents available for removing debris and sludge out of AC components	4 x 1 gal.	<b>1000530681</b>
AC Flush - Solvent based. Effective flushing agents available for removing debris and sludge out of AC components	6 x 1 qt.	<b>1000531951</b>
AC Flush - Non-flammable. Effective flushing agents available for removing debris and sludge out of AC components	6 x 1 qt.	<b>1000532111</b>

## Lubricants

Refrigerant Oil - R-134a Sanden SP20	6 x 8.4 oz.	<b>B11373</b>
Vacuum Pump Oil	1 qt.	<b>530477</b>
Retro AC - Synthetic Polyol Ester Lubricant, Can be used in R-12 and R-134a systems	4 x 1 gal.	<b>1000530615</b>
Retro AC - Synthetic Polyol Ester Lubricant, Can be used in R-12 and R-134a systems	6 x 8 oz.	<b>1000531021</b>
Retro AC - Synthetic Polyol Ester Lubricant, Can be used in R-12 and R-134a systems	6 x 1 qt.	<b>1000531390</b>
Retro AC - PAG 46 A low viscosity ISO 46, Formulated for R-134a systems other than Ford or GM	6 x 8 oz.	<b>1000531455</b>
Retro AC - PAG 100	6 x 8 oz.	<b>1000531458</b>
Retro AC - PAG 150 PAG refrigerant oil for use when servicing Sanden R-134a compressors	6 x 8 oz.	<b>1000531902</b>
Ester Oil with Leak Die - Synthetic Polyol Ester Lubricant, Can be used in R-12 and R-134a systems	6 x 8 oz.	<b>1000532147</b>
Retro AC - PAG 46 with Leak Die - A low viscosity ISO 46, Formulated for R-134a systems other than Ford or GM	6 x 8 oz.	<b>1000532206</b>
Retro AC - PAG 100 with Leak Die	6 x 8 oz.	<b>1000532211</b>
Retro AC - PAG 150 with Leak Die - PAG refrigerant oil for use when servicing Sanden R-134a compressors	6 x 8 oz.	<b>1000532215</b>

## AC Flush

**Part No: 1000530681**



General Specifications: AC Flush - Solvent based. Effective flushing agents available for removing debris and sludge out of AC components

Package Size: 4 x 1 gal.

**Part No: 1000531951**



General Specifications: AC Flush - Solvent based. Effective flushing agents available for removing debris and sludge out of AC components

Package Size: 6 x 1 qt.

**Part No: 1000532111**



General Specifications: AC Flush - Non-flammable. Effective flushing agents available for removing debris and sludge out of AC components

Package Size: 6 x 1 qt.

# Lubricants

## Leak Stop

**Part No: 1000530647**



General Specifications: Leak Stop - Helps to seal and detect most common AC leaks in R-134a systems

Package Size: 12 x 4 oz.

## Oil Charge

**Part No: 1000530630**



General Specifications: 2 oz. R?134a/2 oz. Castrol Retro A/C, Ideal for top off of R?134a systems, Quick, Easy, and Economical

Package Size: 12 x 4 oz.

**Part No: 1000530645**



General Specifications: A mid viscosity PAG oil mixed with R-134a for easy charging into an R-134a system

Package Size: 12 x 4 oz.

## Vacuum Pump Oil

**Part No: 530477**



General Specifications: Vacuum Pump Oil

Package Size: 1 qt.

## Refrigerant Oils

**Part No: B11373**



General Specifications: Refrigerant Oil - R-134a Sanden SP20

Package Size: 6 x 8.4 oz.

## Retro AC - Polyalkylene Glycol

**Part No: 1000531455**



General Specifications: Retro AC - PAG 46 A low viscosity ISO 46, Formulated for R?134a systems other than Ford or GM

Package Size: 6 x 8 oz.

**Part No: 1000531458**



General Specifications: Retro AC - PAG 100 For use in Seltex (Zexel, Diesel Kiki) R?134a compressors

Package Size: 6 x 8 oz.

**Part No: 1000531902**



General Specifications: Retro AC - PAG 150 PAG refrigerant oil for use when servicing Sanden R?134a compressors

Package Size: 6 x 8 oz.

## Retro AC - Polyalkylene Glycol with Leak Dye

<p><b>Part No: 1000532206</b></p> 	<p><b>Part No: 1000532211</b></p> 	<p><b>Part No: 1000532215</b></p> 
<p>General Specifications: Retro AC - PAG 46 with Leak Die - A low viscosity ISO 46, Formulated for R?134a systems other than Ford or GM</p>	<p>General Specifications: Retro AC - PAG 100 with Leak Die - For use in Seltec (Zexel, Diesel Kiki) R?134a compressors</p>	<p>General Specifications: Retro AC - PAG 150 with Leak Die - PAG refrigerant oil for use when servicing Sanden R?134a compressors</p>
<p>Package Size: 6 x 8 oz.</p>	<p>Package Size: 6 x 8 oz.</p>	<p>Package Size: 6 x 8 oz.</p>

## Polyol Ester Oil

<p><b>Part No: 1000530615</b></p> 	<p><b>Part No: 1000531021</b></p> 	<p><b>Part No: 1000531390</b></p> 
<p>General Specifications: Retro AC - Synthetic Polyol Ester Lubricant, Can be used in R?12 and R?134a systems</p>	<p>General Specifications: Retro AC - Synthetic Polyol Ester Lubricant, Can be used in R?12 and R?134a systems</p>	<p>General Specifications: Retro AC - Synthetic Polyol Ester Lubricant, Can be used in R?12 and R?134a systems</p>
<p>Package Size: 4 x 1 gal.</p>	<p>Package Size: 6 x 8 oz.</p>	<p>Package Size: 6 x 1 qt.</p>

<p><b>Part No: 1000532147</b></p> 
<p>General Specifications: Ester Oil with Leak Die - Synthetic Polyol Ester Lubricant, Can be used in R?12 and R?134a systems</p>
<p>Package Size: 6 x 8 oz.</p>



# Control Knobs

**Part No: 525026**



Height: 35/64" (13.97mm)  
 Diameter: 31/32" (24.8mm)  
 Shaft Diameter: 1/4" (6.35mm)  
 Type: Set Screw

**Part No: 525048**



Diameter: 5/8" (15.748mm)  
 Shaft Diameter: 1/4" (6.35mm)

**Part No: 525588**



Height: 3/4" (19mm)  
 Diameter: 1 7/64" (28.4mm)  
 Shaft Diameter: 1/4" (6.35mm)  
 Type: Push On

**Part No: 525812**



Height: 57/64" (22.71mm)  
 Diameter: 1 31/64" (38mm)  
 Type: Push On

**Part No: 525823**



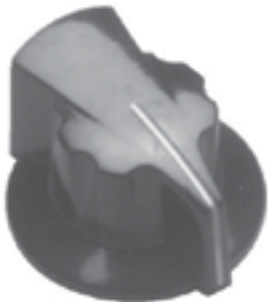
Height: 61/64" (24.1mm)  
 Diameter: 1 5/8" (41.3mm)  
 Type: Push On

**Part No: 552500**



Height: 29/32" (23.0124mm)  
 Diameter: 1 1/16" (26.9748mm)  
 Type: Threaded

**Part No: 573260**



Height: 5/8" (15.875mm)  
 Diameter: 1 1/4" (31.75mm)  
 Shaft Diameter: 1/4" (6.35mm)  
 Type: Set Screw

**Part No: 589740**



Height: 29/32" (23.114mm)  
 Diameter: 15/32" (11.938mm)

**Part No: 650459**



Height: 1" (25.4mm)  
 Diameter: 1 1/2" (38.1mm)  
 Type: Push On

# Control Knobs

**Part No: 890077**



Height: 57/64" (22.71mm)  
 Diameter: 1 31/64" (38mm)  
 Type: Push On

**Part No: 1000224265**



**Part No: B380007**



Height: 15/16" (23.8125mm)  
 Diameter: 7/8" (22.225mm)  
 Type: Pull Knob

**Part No: B380032**



Height: 11/16" (17.4625mm)  
 Diameter: 1" (25.4mm)  
 Shaft Diameter: 1/4" (6.35mm)  
 Type: Set Screw

**Part No: B380053**



Height: 19/32" (15.0876mm)  
 Diameter: 1" (25.4mm)  
 Type: Set Screw

**Part No: B380060**



Height: 21/31" (17.22mm)  
 Diameter: 1 1/8" (28.448mm)  
 Type: Set Screw

**Part No: B380061**



Height: 21/31" (17.1958mm)  
 Diameter: 1 1/8" (28.575mm)  
 Shaft Diameter: 1/4" (6.35mm)  
 Type: Set Screw

**Part No: B380087**



Height: 37/64" (14.6812mm)  
 Diameter: 23/32" (18.2626mm)  
 Shaft Diameter: 1/4" (6.35mm)  
 Type: Set Screw

**Part No: B380091**



Height: 5/8" (15.875mm)  
 Diameter: 1 1/8" (28.575mm)  
 Shaft Diameter: 1/4" (6.35mm)  
 Type: Push On

# Control Cables & Assemblies

**Part No: B380096**



Height: 3/4" (19.05mm)  
 Diameter: 1 1/2" (38.1mm)  
 Type: Set Screw

**Part No: B380099**



Height: 1 3/8" (34.925mm)  
 Diameter: 7/8" (22.225mm)  
 Shaft Diameter: 1/4" (6.35mm)  
 Type: Set Screw

**Part No: B380100**



Height: 5/8" (15.875mm)  
 Diameter: 5/8" (15.875mm)  
 Type: Push On

**Part No: B380102**



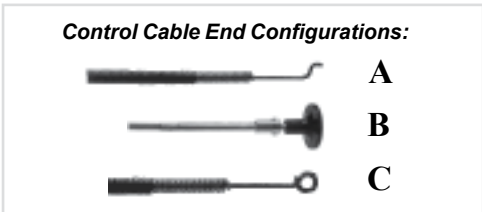
Height: 37/64" (14.732mm)  
 Diameter: 1 1/8" (28.448mm)  
 Type: Set Screw

**Part No: E525082**



Height: 61/64" (24.1mm)  
 Diameter: 1 5/8" (41.3mm)  
 Shaft Diameter: Used on 6.35 x 3.96 shafts  
 Type: Push On

## Control Cables



Cable Length	End 1	End 2	Part No
18 5/8" (473.1mm)	C	C	<b>1000925201</b>
21 11/16" (551.2mm)	C	Detent	<b>1000255753</b>
27 13/16" (706.4mm)	C	C	<b>1000875779</b>
30 11/16" (779.8mm)	C	Detent	<b>530300</b>
31" (787.4)	A	Straight	<b>525413</b>
40" (1016mm)	C	Detent	<b>530293</b>

Cable Length	End 1	End 2	Part No
40" (1016mm)	C	Detent	<b>530748</b>
43" (1092.2)	C	Straight	<b>1000860818</b>
43" (1092.2mm)	C	C	<b>1000875789</b>
50" (1270mm)	C	Detent	<b>530749</b>
64" (1625.6mm)	C	C	<b>1000875793</b>
76" (1930.4mm)	C	C	<b>1000875788</b>

# Control Assemblies & Panels

## Control Kits & Modules

Part No: 869703



General Specifications: Knob, Switch Kit

Part No: 1000207781



General Specifications: Auto Temperature Control Module

Part No: 1002442276



General Specifications: Electrical Compressor Control Module

Part No: 1002585721



General Specifications: HVAC Compressor Control Kit

Part No: 1002825404



General Specifications: Control Unit with Adaptor, 12V

## Control Assemblies & Panels

Part No: 880014



General Specifications: Control, Thomas

Part No: 1000135581



General Specifications: Control Assembly

Part No: 1001157329



General Specifications: Vertical Control Panel for Kelvin or Pascal AC System, 12V

# Control Kits & Modules

**Part No: 1001159300**



General Specifications: Vertical Control Panel for Kelvin HVAC System, 12V

**Part No: 1001165354**



General Specifications: Horizontal Control Panel for Kelvin or Pascal AC System, 12V

**Part No: 1001229584**



General Specifications: Horizontal Control Panel Heat, 12V/24V

**Part No: 1001229640**



General Specifications: Vertical Control Panel Heat, 12V/24V

**Part No: 1002865667**



General Specifications: Electronic HVAC Control Panel

**Part No: 1001327197**



General Specifications: Aftermarket System Control Panel

**Part No: 1002912033**



General Specifications: PCB Single System Assembly

**Part No: B360934**



General Specifications: Control Plate