



Features

- Heavy gauge stainless steel construction
- Designed for smaller mining cabs and industrial equipment
- Easy installation
- Quiet and efficient scroll compressors
- Two-stage electric heat
- Positively pressurized electrical cubicle to keep dust and water out
- 5-stage electronic thermostat with remote control for operator comfort
- Compatible with new automatic cleaning pressurizer

Suggested Applications



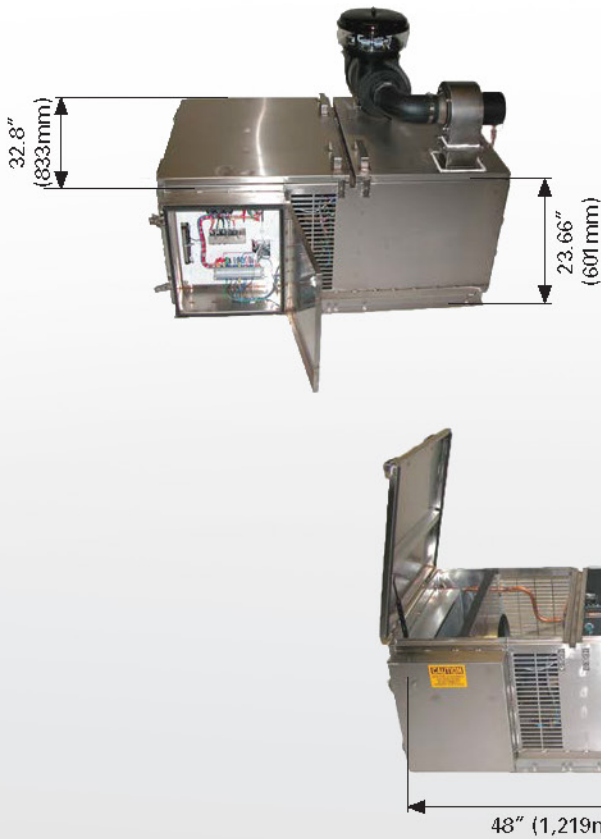
Technical Specifications

Model	MPV5
Capacity*	Cooling: 18,000 BTU/hr (5,3 kW) Heating: 34,000 BTU/hr (10,0 kW)
Amps	20 AMPS @ 460/3/60
Maximum air flow	High: 600 SCFM (1,019 m³/hr) Low: 500 SCFM (850 m³/hr)
Dimensions (L x W x H)	48in x 32.8in x 23.66in (1,219mm x 833mm x 601mm)
Weight	540 lb (244,9 kg)
Mounting Position	Rooftop, Walkway or Deck

(*) System cooling capacity is based on system component-calculated capacities in accordance with IMACA 200 standard test conditions: indoor 80°F DB/67°F WB with outdoor 110°F DB/60°F WB. Heating capacity is at rated voltage in accordance with SAEJ638.

Unless otherwise stated, performance measurements are conducted in accordance with SAE J638 for heaters and IMACA 200 for evaporators.

Dimensions layout



Model Specifications:	MPV5
Cooling Capacity	18,000 BTU/hr (5,2 kw)
Heating Capacity	34,000 BTU/hr (10,0 kw)
Heating Stages	2
Airflow - High Speed	600 CFM (280 l/s)
Airflow - Low Speed	500 CFM (240 l/s)
Compressor Type	Scroll
Pressurization	120 CFM (56 l/s)
Controls	110VAC
Motor Protection	Circuit Breaker Thermal Overload
Compressor Capacity Control	None
Condenser Fan	1-Speed
Refrigerant Metering	TXV
Thermostat	Standard
- Electronic 5-stage	

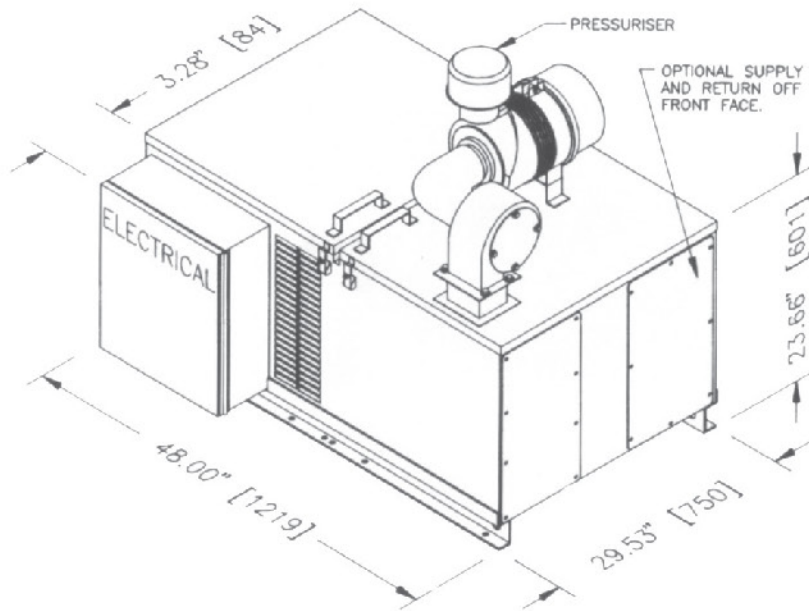
Rating Conditions: Cooling Capacity - Indoor 80°F DB/67°F WB with Outdoor 110°F DB/60°F WB Heating Capacity @ Rated Voltage

For capacities at ARI Std. 210 conditions of cooling capacity with 80°F DB/67°F WB and Outdoor 95°F DB/75°F WB add approximately 7.5% to rated capacity.

Above spec based on 460/30/60 versions of heating and cooling, capacities may vary depending on supplied voltage.

Bergstrom Electrified

Line Drawing



When placing an order please contact your sales representative to review your order to ensure the proper system has been identified for your vehicle application.

Availability of the products shown in this catalog is subject to change without notice by Bergstrom, Inc. For the most current product information please visit the Bergstrom Distributor website at <https://parts.shop.bergstrominc.com/>.