

Features

- Suitable for well-sealed cabs and enclosures
- Heavy-duty steel base construction
- Durable cover, highly resistant in many environments
- Canister is flexible so it can be relocated to a remote site
- Plastic filter housing

Suggested Applications



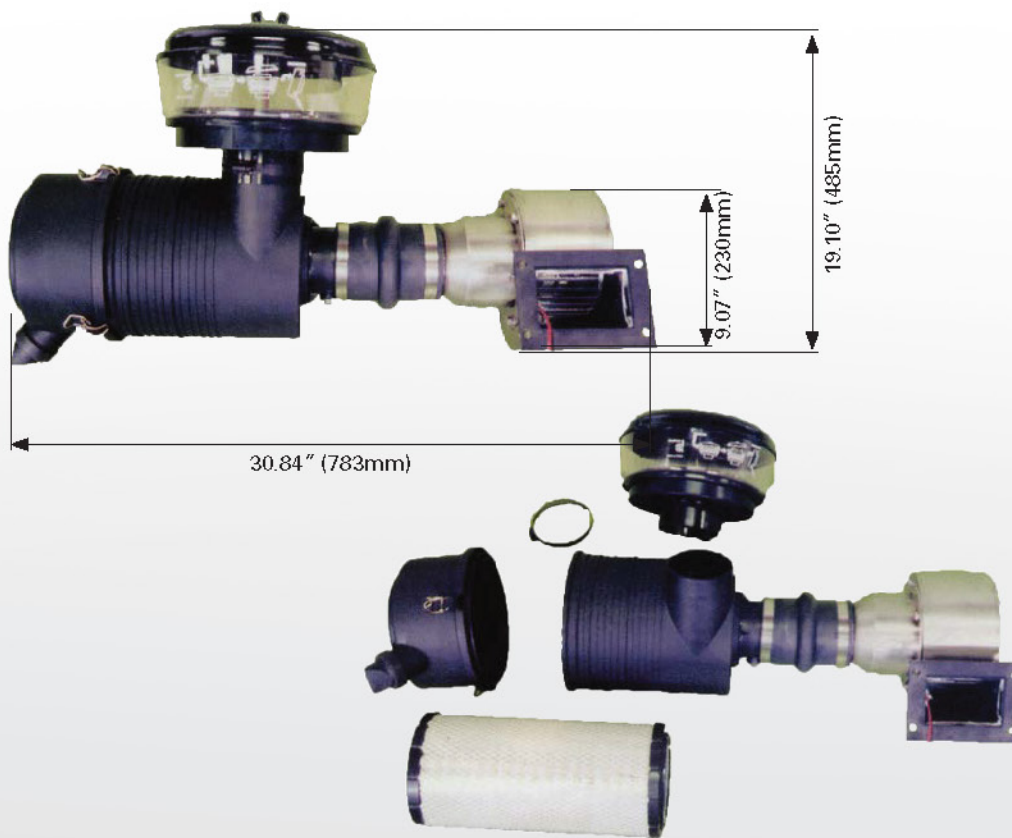
Auxillary piece for BES-series
air conditioners

Technical Specifications

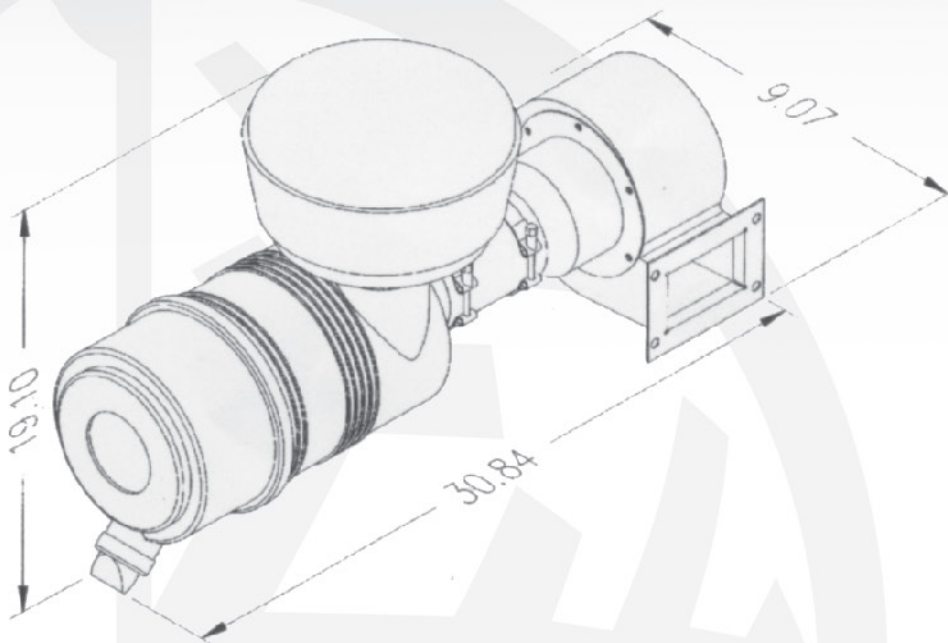
Model	FVV650 12V	FVV60 24V
Voltage	12V	24V
Amps	10 AMPS @ 12 V.D.C.	5 AMPS @ 24 V.D.C.
Maximum air flow	170 SCFM (289 m ³ /hr)	170 SCFM (289 m ³ /hr)
Dimensions (L x W x H)	30.84in x 9.07in x 19.1in (783mm x 230mm x 485mm)	30.84in x 9.07in x 19.1in (783mm x 230mm x 485mm)
Weight	21 lb (9,5 kg)	21 lb (9,5 kg)
Mounting Position	Foot	Foot

Unless otherwise stated, performance measurements are conducted in accordance with SAE J638 for heaters and IMACA 200 for evaporators.

Dimensions layout



Line Drawing



Model Specifications:	FVV60
Type of Unit	Filter/Blower
Voltages Available V.D.C.	12 or 24
Voltages Available V.A.C.	115-1-50/60
Pressurizer Watts @ 24 V.D.C.	150
Pressurizer Watts @ 115 V.A.C.	200
Pressurizer Airflow:	
Clear filter, 0.00" w.c. ESP	170 CFM (80 l/s)
0.25" w.c. ESP	145 CFM (70 l/s)
0.50" w.c. ESP	126 CFM (60 l/s)
Max. Fan Static Pressure Available	2.55" w.c.
No. of Blower/Motors	1
No. of Motor Speeds	1
Pre-Cleaner	1
---Roughing	1
No. of Final Filter Elements	1
Permanent Filter Size	6.5" Dia x 14" Lg
Type of Permanent Filter	Pleated
Filter Material	Paper
Filtration Efficiency	See Note
Outlet Spigot	3.63" x 3.63"
Mounting Type	Foot
Motor External Protection	No
Internal Thermal Protection	Yes
Pressurizer Casing Material	Plastic

Note #1: Air Cleaner Test, SAE J126, which includes 12% in the 0 - 5 micron range.

Note #2: 1" water column (w.c.) = 250 pascals



When placing an order please contact your sales representative to review your order to ensure the proper system has been identified for your vehicle application.

Availability of the products shown in this catalog is subject to change without notice by Bergstrom, Inc. For the most current product information please visit the Bergstrom Distributor website at <https://parts.shop.bergstrominc.com/>.