



Features

- Stand-alone pressurizer for 12 and 24VDC
- Heavy-duty steel base construction
- Suitable for well-sealed cabs and enclosures
- A welded steel base construction and durable plastic cover
- Highly resistant in many environments

Suggested Applications



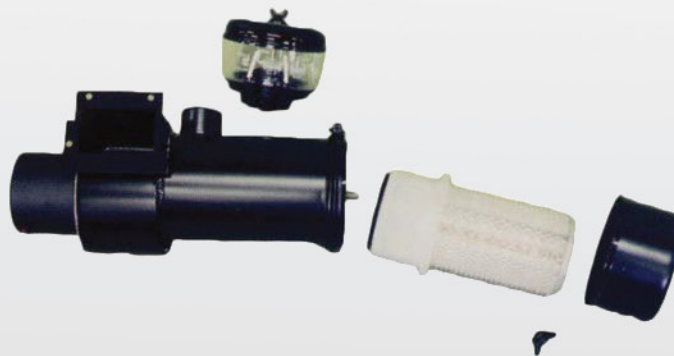
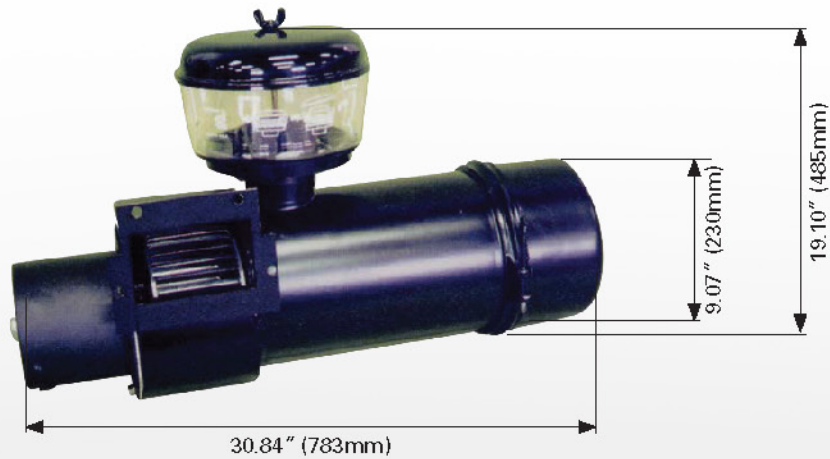
Auxillary piece for BES-series
air conditioners

Technical Specifications

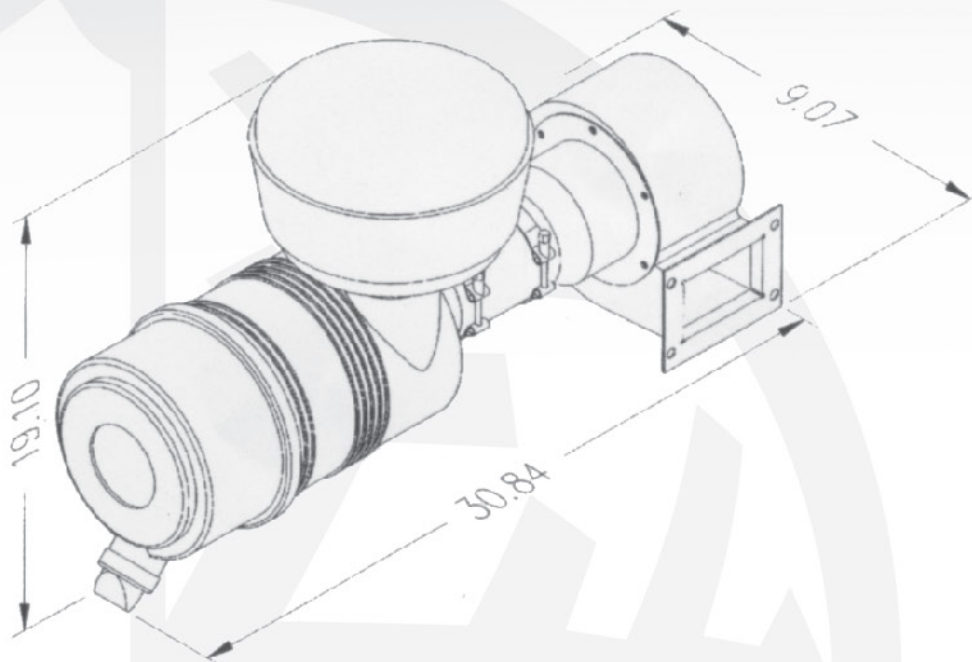
Model	FVV50 12V	FVV50 24V
Voltage	12V	24V
Amps	10 AMPS @ 12 V.D.C.	5 AMPS @ V.D.C.
Maximum air flow	85 SCFM (144 m ³ /hr)	85 SCFM (144 m ³ /hr)
Dimensions (L x W x H)	30.84in x 9.07in x 19.1in (783mm x 230mm x 485mm)	30.84in x 9.07in x 19.1in (783mm x 230mm x 485mm)
Weight	17 lb (7,7 kg)	17 lb (7,7 kg)
Mounting Position	Foot	Foot

Unless otherwise stated, performance measurements are conducted in accordance with SAE J638 for heaters and IMACA 200 for evaporators.

Dimensions layout



Line Drawing



Model Specifications:	FVV50
Type of Unit	Filter/Blower
Voltages Available V.D.C.	12 or 24
Pressurizer Watts @ 24 V.D.C.	120
Pressurizer Airflow:	
Clear filter, 0.00" w.c. ESP	85 CFM (40 l/s)
0.25" w.c. ESP	18 CFM (9 l/s)
0.50" w.c. ESP	5 CFM (2.5 l/s)
Max. Fan Static Pressure Available	0.65" w.c.
No. of Blower/Motors	1
No. of Motor Speeds	1
Pre-Cleaner	
—Roughing	1
No. of Final Filter Elements	1
Permanent Filter Size	5" Dia x 11" Lg
Type of Permanent Filter	Pleated
Filter Material	Paper
Filtration Efficiency	See Note
Outlet Spigot	2.75" x 4.25"
Mounting Type	Foot
Motor External Protection	No
Internal Thermal Protection	Yes
Pressurizer Casing Material	Painted Steel

Note #1: Air Cleaner Test, SAE J126, which includes 12% in the 0 - 5 micron range.
 Note #2: 1" water column (w.c.) = 250 pascals

Bergstrom Electrified



When placing an order please contact your sales representative to review your order to ensure the proper system has been identified for your vehicle application.

Availability of the products shown in this catalog is subject to change without notice by Bergstrom, Inc. For the most current product information please visit the Bergstrom Distributor website at <https://parts.shop.bergstrominc.com/>.