

Features

- Suitable for well-sealed cabs and enclosures
- Heavy-duty steel base construction
- Durable cover, highly resistant in many environments
- Large filters that require manual cleaning
- Suitable for very dusty applications with extended intervals between cleaning
- Safety filter included
- System is available in AC or D/C configurations

Suggested Applications

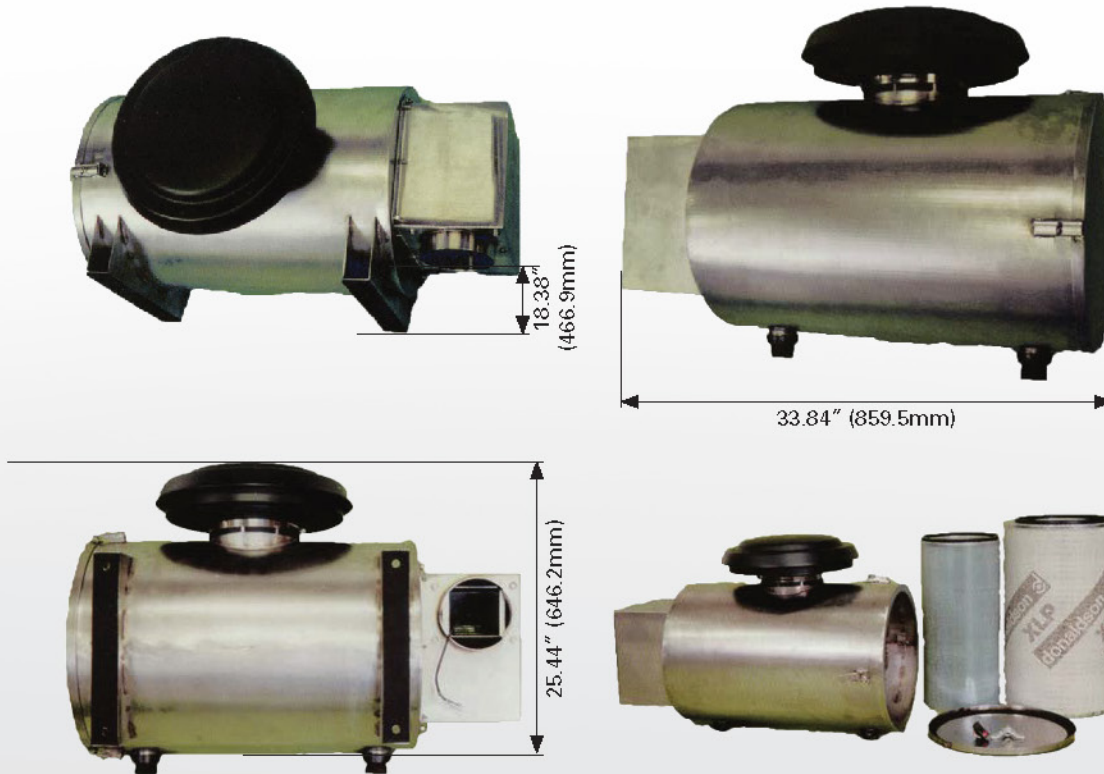


Technical Specifications

Model	FVV150 12V	FVV150 24V
Voltage	12V	24V
Amps	14 AMPS @ 12 V.D.C.	7 AMPS @ 24 V.D.C.
Maximum air flow	315 SCFM (535 m ³ /hr)	315 SCFM (535 m ³ /hr)
Dimensions (L x W x H)	33.84in x 18.38in x 25.44in (859.5mm x 466.9mm x 646.2mm)	33.84in x 18.38in x 25.44in (859.5mm x 466.9mm x 646.2mm)
Weight	88.2 lb (40 kg)	88.2 lb (40 kg)
Mounting Position	Foot	Foot

Unless otherwise stated, performance measurements are conducted in accordance with SAE J638 for heaters and IMACA 200 for evaporators.

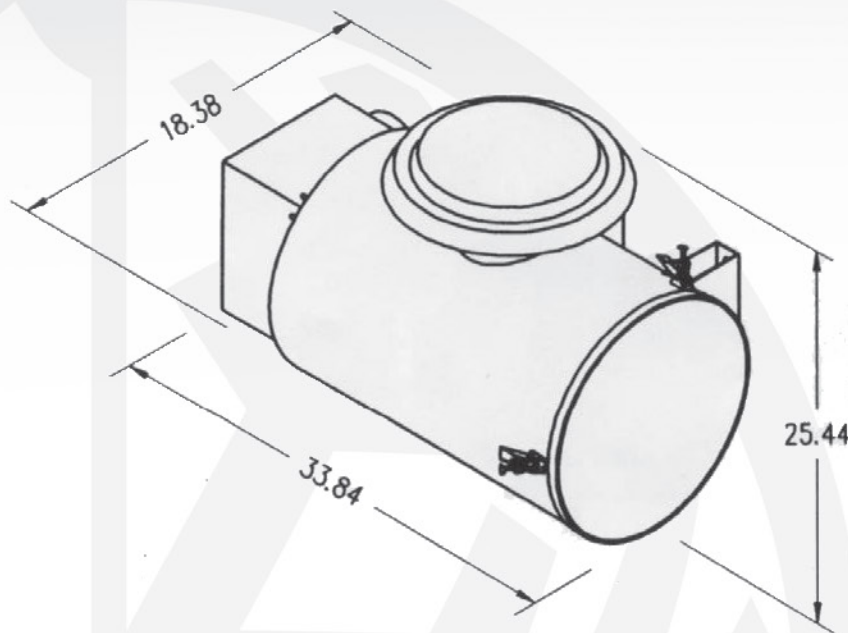
Dimensions layout



Model Specifications:	FVV150
Type of Unit	Filter/Blower
Voltages Available V.D.C.	12 or 24
Voltages Available V.A.C.	115-1-50/60
Pressurizer Watts @ 24v V.D.C.	150
Pressurizer Watts @ 115 V.A.C.	200
Pressurizer Airflow:	
Clear filter, 0.00" w.c. ESP	315 CFM (150 l/s)
0.25" w.c. ESP	235 CFM (110 l/s)
0.50" w.c. ESP	210 CFM (100 l/s)
Max. Fan Static Pressure Available	2.2" w.c.
No. of Blower/Motors	1
No. of Motor Speeds	1
Pre-Cleaner	
---Roughing	1
No. of Final Filter Elements	2
Permanent Filter Size	14.5" Dia x 24" Lg
Type of Permanent Filter	Pleated
Filter Material	Paper
Filtration Efficiency	See Note
Outlet Spigot	5.5" Dia
Mounting Type	Foot
Motor External	No
Protection Internal Thermal	Yes
Protection	
Pressurizer Casing Material	Stainless Steel

Bergstrom Electrified

Line Drawing



Note #1: Air Cleaner Test, SAE J126, which includes 12% in the 0 - 5 micron range.
 Note #2: 1" water column (w.c.) = 250 pascals



When placing an order please contact your sales representative to review your order to ensure the proper system has been identified for your vehicle application.

Availability of the products shown in this catalog is subject to change without notice by Bergstrom, Inc. For the most current product information please visit the Bergstrom Distributor website at <https://parts.shop.bergstrominc.com/>.