

## Features

- Stainless steel construction
- Impact resistant cover
- Highly efficient and washable filter
- (2) fans mounted in series to provide high static pressure capability
- Designed for use in cabs and enclosures of typically heavy diesel driven machinery where compressed air source is available
- Fan cycle times are adjustable to suit site conditions.
- Available in 24VDC or 120VAC voltages

## Suggested Applications

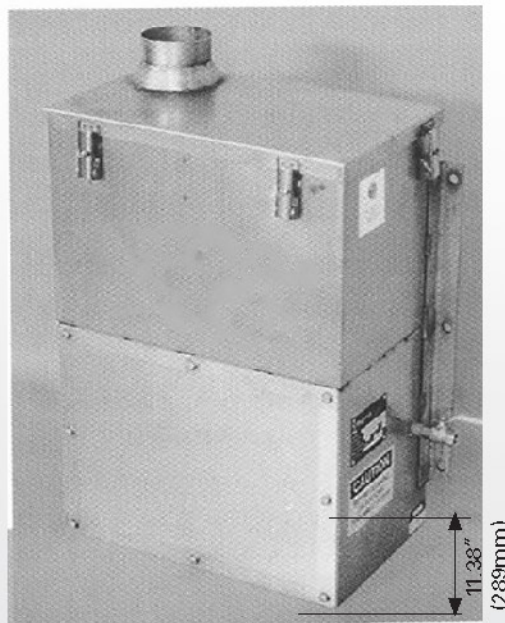
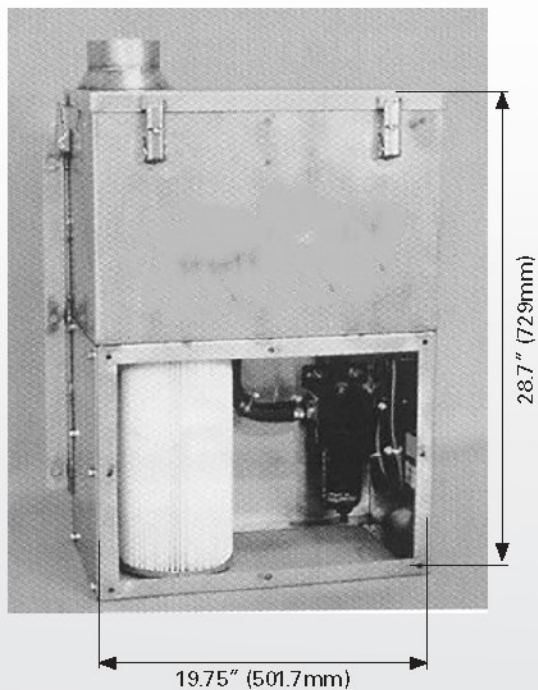


## Technical Specifications

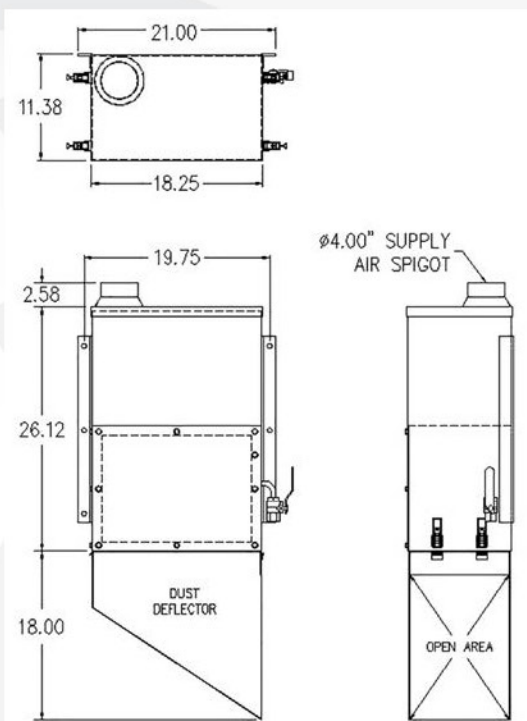
Model	FVW100 120V	FVW100 24V
Voltage	12V	24V
Amps	3 AMPS @ 120V.A.C	7 AMPS @ 24V.D.C.
Maximum air flow	365 SCFM (620 m <sup>3</sup> /hr)	365 SCFM (620 m <sup>3</sup> /hr)
Dimensions (W x H x D)	19.75in x 28.7in x 11.38in (501.7mm x 729mm x 289mm)	19.75in x 28.7in x 11.38in (501.7mm x 729mm x 289mm)
Weight	100 lb (45,5 kg)	100 lb (45,5 kg)
Mounting Position	Wall	Wall

Unless otherwise stated, performance measurements are conducted in accordance with SAE J638 for heaters and IMACA 200 for evaporators.

### Dimensions layout



### Line Drawing



Model Specifications:	FVW100
Type of Unit	Filter/ Blowers
Voltages Available V.D.C.	12 or 24
Voltages Available V.A.C.	115-1-50/60
Pressurizer Watts @ 24 V.D.C.	300
Pressurizer Watts @ 115 V.A.C.	400
<b>Pressurizer Airflow:</b>	
Clear filter, 0.00" w.c. ESP	365 CFM (175 l/s)
0.25" w.c. ESP	325 CFM (155 l/s)
0.50" w.c. ESP	285 CFM (135 l/s)
Max. Fan Static Pressure Available	5.3" w.c.
No. of Blower / Motors	2
No. of Motor Speeds	1
Method of Speed Change	Manual
No. of Final Filter Elements	1
Permanent Filter Size	6" Dia x 13" Lg
Type of Permanent Filter	Pleated
Filter Material	Spun Polyester
Filtration Efficiency	99% @ 0.3 Microns
Outlet Spigot	4" Dia
Compressed Air Inlet	3/8" FPT
Compressed Air Pressure Required	60-100 psig
Mounting Type	Wall
Cleaning Trigger	Adjustable Timer
Motor External Protection	Circuit Breaker
Internal Thermal Protection	Yes
Pressurizer Casing Material	Stainless Steel

Note #1: Air Cleaner Test, SAE J126, which includes 12% in the 0 - 5 micron range.  
 Note #2: 1" water column (w.c.) = 250 pascals



When placing an order please contact your sales representative to review your order to ensure the proper system has been identified for your vehicle application.

Availability of the products shown in this catalog is subject to change without notice by Bergstrom, Inc. For the most current product information please visit the Bergstrom Distributor website at <https://parts.shop.bergstrominc.com/>.

Bergstrom Electrified